

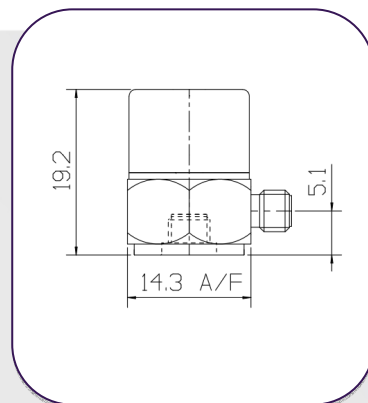
微型压电 IEPE 单轴加速度计: A/120/V
 灵敏度: 10mV/g ~ 1V/g (±10%) 重量: 12.5g 最高温度: 125°C



A / 120系列通用型Konic剪切IEPE振动传感器提供了广泛的安装, 连接器和灵敏度, 全部使用独特且技术上优于压电陶瓷传感器的Konic剪切设计。在相同尺寸的加速度计内, 可提供10mV / g至1V / g的输出, 非常适合从振动筛控制, 精密测试到工业机器监控的应用。

使用各种IEPE信号调节电平, A / 120可以直接连接到各种市售的振动频谱分析仪和数据采集系统, 以及我们自己的VV / 04, V3 / 04, V4 / 04和CV9信号调节器, 提供一系列标准化和放大选项。

A/120/V



Note:

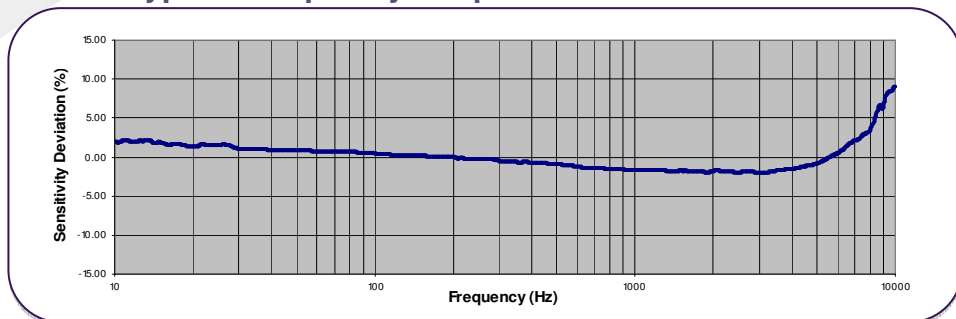
所示的电压灵敏度是标准的。我们可以根据要求提供各种灵敏度, 并建议对应用进行评估以确定所需的灵敏度。

Options:

Cable assemblies available to any length and with any terminating connector.

- A/120/CR – Side entry
- A/120/V – Side entry
- A/120/VI – Side entry
- A/120/VT – Top entry
- A/120/VTC – Top entry
- A/120/VTI – Top entry

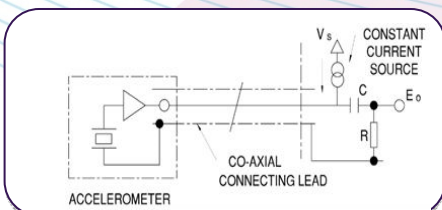
Typical Frequency Response



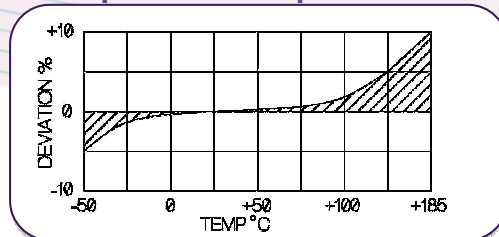
Typical Spectral Noise (100mV/g)

1Hz	732 $\mu\text{g}/\sqrt{\text{Hz}}$
10Hz	28.7 $\mu\text{g}/\sqrt{\text{Hz}}$
100Hz	8.9 $\mu\text{g}/\sqrt{\text{Hz}}$
1kHz	4.75 $\mu\text{g}/\sqrt{\text{Hz}}$
10kHz	3.99 $\mu\text{g}/\sqrt{\text{Hz}}$

Accelerometer Connection



Temperature Response



Please note: For information and reference only. Data should not be used as pass / fail criteria for calibration purposes



微型压电 IEPE 单轴加速度计: A/120/V
 灵敏度: 10mV/g ~ 1V/g (±10%) 重量: 12.5g 最高温度: 125°C



	公制			英制		
	Voltage Sensitivity ±10%	1.0mV/(m/s ²)	10.2mV/(m/s ²)	50.98mV/(m/s ²)	10mV/g	100mV/g
Resonant frequency	28 kHz					
Typical Frequency Response ±5% +10%	1Hz – 8kHz 0.7Hz – 9kHz					
Cross Axis error/Transverse Sensitivity	≤5%					
Temperature Range	-50/+125°C			-58/+257°F		
Voltage sensitivity deviation (20°C/68°F)	-5% @ -50°C +5% @ +125°C			-5% @ -58°F +5% @ +257°F		
Supply voltage	15/35 V DC					
Supply current	2/20mA					
Bias voltage	10 - 14 V DC					
Settling time to 90% final val.	<2 secs					
Max continuous accn. g sine	9807m/s ²			1000g		
Measurement Range	±4903m/s ²	±490m/s ²	±98m/s ²	±500g	±50g	±10g
Base Strain Sensitivity	≤ 5%			≤ 5%		
Discharge Time Coef.	1 to 3 Seconds					
Non-linearity (%FS)	≤1%					
Broadband Resolution (1Hz to 10kHz – Typical)	0.0025grms					
Case material	Titanium Grade 2					
Mounting	Base tapped hole, 10-32 UNF x 4mm deep			Base tapped hole, 10-32 UNF x 0.16 deep		
Weight	12.5g			0.44oz		
Case seal	Welded hermetic connector			Welded hermetic connector		
Connector	10-32 UNF Microdot, TNC					
Size	14.3 (A/F) x 19.2mm			0.562" (A/F) x 0.75"		

Please note: For information and reference only. Data should not be used as pass / fail criteria for calibration purposes