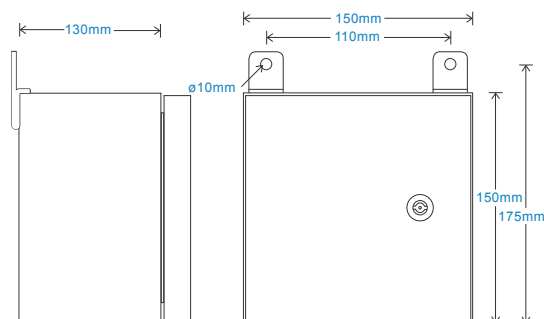


HS-SEC 紧凑型开关盒 不锈钢材质

主要特点

- 提供一个通过便携式数据收集器从加速度计读取数据的端子
- 一拖多输出
- 紧凑型



Technical Performance

Inputs	Via accelerometer	Door	Twist Handle
Output	BNC as standard (alternatives can be specified in 'How To Order' table)	Glanding	Glands supplied but not fitted
Mounting Board	Engraved traffolyte panel (customisable upon request)		Holes are punched for: Single input M12 - \varnothing 3.5-7mm cable Single input M20 - \varnothing 7-13mm multi-core cable Multi input M20 - 3 x \varnothing 5.3mm
Material	304 Stainless Steel (to be specified in options of 'How To Order' table)	Labelling	Channel locations - other labelling available upon request
Dimensions	see: 'How To Order' table	Mounting	supplied are 2 x Brackets
Sealing	IP66	EMC	EN61326-1:2013
Termination	Din rail terminals wired to switch		

How To Order

