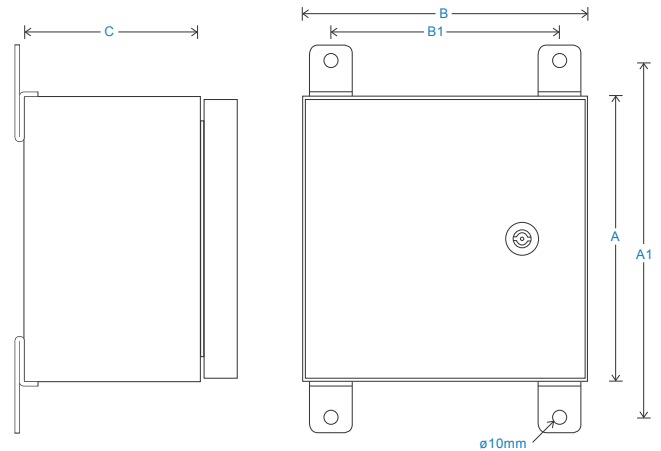


HS-SE-DT-SS 开关盒 不锈钢-振动和温度输出

主要特点

- 振动和温度输出
- 提供一个通过便携式数据收集器从加速度计读取数据的端子
- 一拖多输出
- 易于安装



dimensions to be specified in 'how to order' table

Technical Performance

Inputs	Via dual output vibration and temperature accelerometer	Door	Lock and polyamide key
Output	BNC as standard (alternatives can be specified in 'How To Order' table)	Glanding	Glands supplied but not fitted Holes are punched for: Single input M12 - ø3.5-7mm cable Single input M20 - ø7-13mm multi-core cable Multi input M20 - 3 x ø5.3mm
Mounting Board	Engraved traffolyte panel (customisable upon request)	Labelling	Channel locations - other labelling available upon request
Material	304 Stainless Steel (to be specified in options of 'How To Order' table)	Mounting	supplied are 4 x Brackets
Dimensions	see: 'How To Order' table	EMC	EN61326-1:2013
Sealing	IP66		
Termination	Din rail terminals wired to switch		

How To Order

