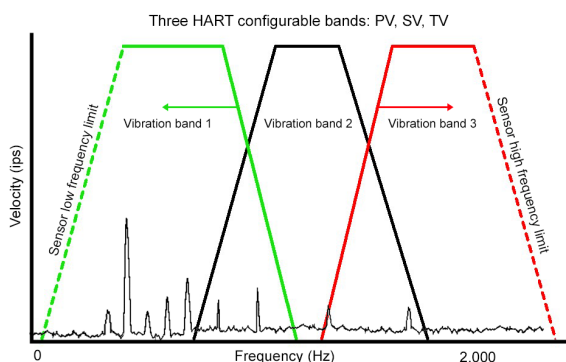


HART协议 4~20mA 防爆本安 4针M12接插件 加速度计

型号：PCH420V-M12

PCH420V系列传感器是具有4-20 mA输出的速率变送器，并且具有使用HART协议进行数字通信的附加功能。HART功能允许用户配置传感器，启用多点电缆安装并允许传感器直接与启用HART的DCS或PLC通信。好处是传感器可以由用户针对多种不同的满量程范围和滤波器设置进行配置，减少所需的电缆连接以及与现有工厂基础设施的简单连接。数字传感器可以改善与工厂网络的连接，提高效率并简化有关机械健康状况的决策。



Device variables:
 PV - Vibration band 1
 SV - Vibration band 2
 TV - Vibration band 3

Model	Description
PCH420V-R6(-HZ)	4-20 mA + HART velocity sensor with 2 pin MIL-C-5015 connector
PCH420V-M12(-HZ)	4-20 mA + HART velocity sensor with 4 pin M12 connector

Note: Model numbers ending in -HZ are hazardous area certified sensors.

Certifications



(all models)

-HZ models only:



Class I, Div 2
 Groups A, B, C, D
 Class I, Zone 2
 AEx/Ex nA nC IIC T4
 Tamb: -40°C to +105°C



II 3 G
 Ex nA nC IIC T4 Gc
 Ta = -40°C to +105°C



Key features

- 4-20 mA + HART 7.0输出
- 三个用户可配置频段
- 单点或多点循环安装
- 提供危险区域认证型号
- 远程配置和诊断
- 连接器选项：
2针MIL-C-5015（-R6型号）
或M12（-M12型号）
- 持续资产监控
- 在批准的ISO 9001设施中制造

The cable installed must be suitable for the installation temperature and the voltage of any intermingled circuits. • Connected cable must be of a type suitable for Zone 2 Hazardous Locations. • The connected cable and connector must provide a minimum ingress protection level of IP54, when assessed according to EN 60079-0 and EN 60079-15. Unused connector must be fitted with an appropriately rated blanking cover. • The connection must be made in a manner that cannot be separated without the use of a tool. • Where the installation requires that the Accelerometer enclosure be grounded, this is to be done using a metal mounting stud as described in document 13327-01, 13334-01, 13335-01 or 13336-01.

HART协议 4~20mA 防爆本安 4针M12接插件 加速度计

型号: PCH420V-M12-HZ

SPECIFICATIONS

HART PARAMETERS

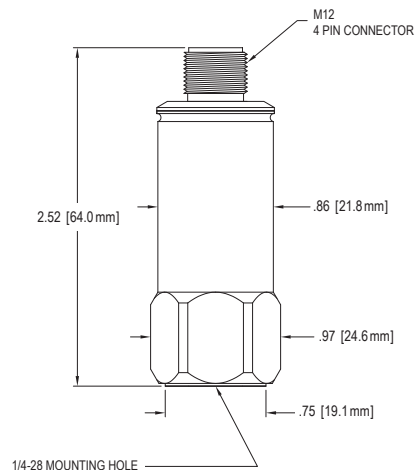
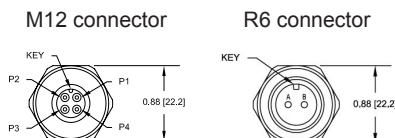
满量程速度输出, 20 mA, ±10%	0.5 - 5.0 in/sec, peak (12.7 - 127 mm/sec, peak)
可编程PV波段	low-pass high-pass band-pass (max 2, simultaneous)
HART分析带, 可独立编程: PV, SV, TV	RMS, peak, true peak
信号检测选项	10 Hz
最小分析带宽	

SENSOR SPECIFICATIONS

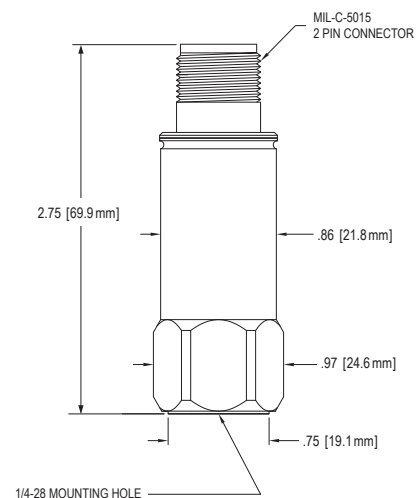
频率响应:	±10%	10 Hz - 1 kHz
	±3 dB	3.0 Hz - 1.95 kHz
Measurement accuracy at 25°C, 100 Hz, 1 ips full scale		±5%
Power requirements, 2-wire loop power:		
Voltage, between pins A and B		12 - 30 VDC
Current draw		3.8 - 22 mA
Loop resistance ¹ at 24 VDC, max		600 Ω
Turn on time, 4-20 mA loop		30 seconds
Grounding		case isolated, internally shielded
Temperature range		-40° to +105° C (-40° to +221°F)
Vibration limit		500 g peak
Shock limit		5,000 g peak
Sealing		hermetic
Sensing element design		PZT, shear
Case material		316L stainless steel
Mounting		1/4-28 tapped hole
Mating connector	-M12 models	-R6 models
Recommended cabling	4 pin, M12	2 pin, MIL-C-5015
Recommended connector	J9T4A	J9T2A
	R75S	R6H series

Notes: ¹ Maximum loop resistance (R_L) can be calculated by: $R_L = \frac{V_{DC\ power} - 10.3\ V}{22.8\ mA}$
HART communication requires min. 250Ω resistance.

Accessories supplied: SF6 mounting stud; calibration data; DD (Device Description) file is available for download



Function	Connector pin
loop positive	1
loop negative	2
N/C	3
N/C	4
ground	shell



Function	Connector pin
loop positive	A
loop negative	B
ground	shell