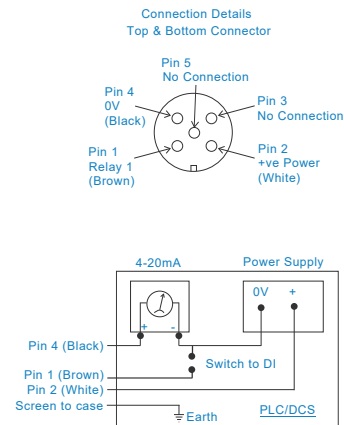
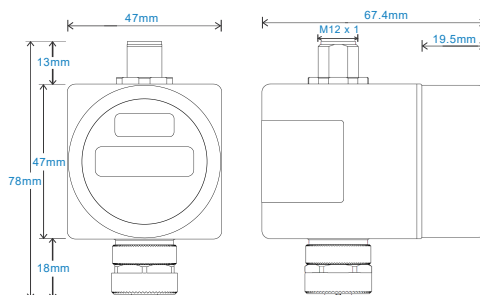


HS-517 Vibration Trip Display

with LED display

Key Features

- Fully configurable
- Relay Function
- 4 Digit LED Display
- Suitable for HS-420 & HS-422 Series
- Display turns 330°
- Connector turns 300°



Technical Performance

Input/Output	4-20mA from HS-420 or HS-422
Output	Sensor Signal + Relay (when configured)
Power Requirements	16 to 28 VDC (HS-570 Power Supply Module)
Maximum Current	93 mA (refer to electrical parameters)
Display Range Options	1- Programmable, Unit selectable via Front Sticker
Display	4 digit (Red LED)
Relay Reset	Auto Reset Hysteresis
Relay Default Setting	80% Relay, 75% Reset

Mechanical

Case Material	Polycarbonate
Connections	4 Pin M12 Input and Output
Weight	150 gms (nom)
Screened Cable Assembly	HS-AC010 - straight HS-AC011 - right angle

Electrical

Set Points	PNP Relay (button panel programmable)
Relay Rating	1,25 Amps at 2 Volts DC
Relay Status	N/O or vN/C Latching / Non Latching
Relay Delays	Up to 100 secs
Output	4-20 mA Signal from Sensor HS-420 or HS-422 Relay (when configured)
Input	4-20 mA from HS-420 or HS-422 Series

Environmental

Operating Temperature Range	see: attached certification details
EMC	2014/30/EU
Shock Resistance	100g / 11ms
Sealed	IP65

How To Order

